



INSTALLATION INSTRUCTIONS

Accessory
CARGO ORGANIZER
P/N 08U20-STK-200

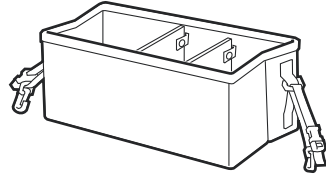
Application
2012 MDX

Publications No.
BII 46612
Issue Date
OCT 2011

Put this information in the glove box with the vehicle owner's manual.

PARTS LIST

Cargo Organizer

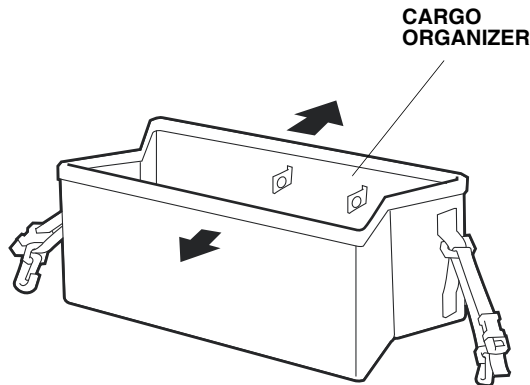


INSTALLATION

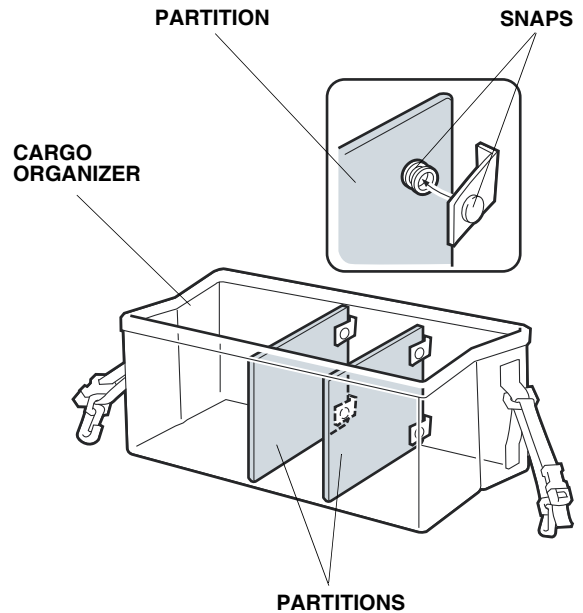
NOTE:

Before storing articles that have sharp edges or corners, wrap them in paper or a blanket to help prevent damage to the cargo organizer.

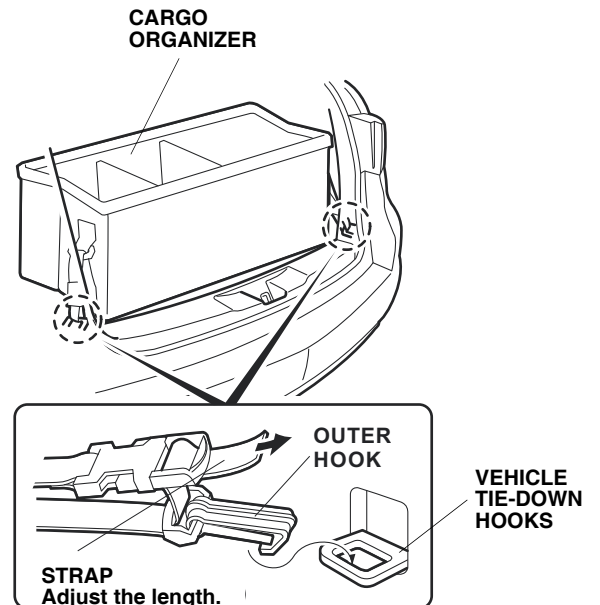
1. Open the cargo organizer.



2. Attach the two partitions to the cargo organizer by connecting the inner snaps.



3. Place the organizer in the cargo area of the vehicle, and attach the outer hooks on the organizer to the vehicle tie-down hooks.



4. Adjust the length of the straps as needed to secure the organizer to the vehicle tie-down hooks.